

Compact, powerful and reliable.



Photo courtesy of Azimut-Benetti



CWS SOLO 961 shown

## KEY BENEFITS

- FROM 60.000 TO 144.000 BTU/H WITH A SINGLE COMPRESSOR
- AVAILABLE IN COOL ONLY OR REVERSE CYCLE
- INVERTER DRIVER COMPLETELY REMOVES START LOAD INCREASES EFFICIENCY BY 30%
- HIGHEST CAPACITY FROM THE SMALLEST SIZE
- CUPRONICKEL CONDENSER FOR THE BEST HEAT TRANSFER AND TO IMPROVE RELIABILITY
- INNOVATIVE CLIMMA ANTI-VIBRATION SYSTEM
- DA 60.000 FINO A 144.000 BTU/H A SINGOLO COMPRESSORE
- DISPONIBILE IN SOLO FREDDO O IN INVERSIONE DI CICLO
- OPZIONE INVERTER PER ELIMINARE LA CORRENTE DI SPUNTO E RIDURRE I CONSUMI FINO AL 30%
- MASSIME PERFORMANCE IN UNO SPAZIO MINIMO
- CONDENSATORE IN CUPRONICKEL PER OTTENERE IL MASSIMO SCAMBIO TERMICO E LA MIGLIOR AFFIDABILITA'
- INNOVATIVO SISTEMA CLIMMA ANTI VIBRAZIONI

## THE PRODUCT

### Power

Climma CWS SOLO, a powerful system especially designed for yachts to ensure the perfect condition on board. Available from 60.000 up to 144.000 BTU/h with a single compressor, reverse cycle as default and cool only on demand, CWS SOLO is the best solution for yacht from 55 feet up to 30 meters.

### Compact

At VECO we know how much size on board is an issue; that's why our design is always focused on fitting powerful systems in the smallest size possible. Climma CWS SOLO systems have been designed to be the most compact solution available.

### Quality

Climma's unique control system monitors and checks all the key parameters of the CWS SOLO, maximizing the performance and reliability of the system.

Both the sea water condenser and the associated sea water circuit and manifolds are made in marine-grade cupronickel for maximum resistance to sea water corrosion.

The fresh water circuit is made in copper and stainless steel and the compressor is supported on anti-vibration.

### Efficiency

All CWS SOLOs are also available with inverter drivers. Climma's unique water cooled inverters completely remove the start current and reduce the power consumption of the CWS units by up to 30%.

### Potenza

Gli impianti chiller Climma CWS SOLO sono la soluzione perfetta per ottenere il massimo confort a bordo. Disponibili da 60.000 fino a 144.000 BTU/h con un singolo compressore, in inversione di ciclo o in versione solo freddo, si adattano perfettamente a soluzioni per yacht da 55 piedi fino a 30 metri.

### Minimo ingombro

VECO conosce quanto sono importanti gli spazi a bordo. Il design unico di Climma CWS SOLO è studiato per ottenere le massime performance nel minimo spazio possibile, posizionandosi come il più compatto chiller nella sua categoria.

### Qualità

Grazie al sistema di controllo Climma, vengono monitorati tutti i parametri di sistema, massimizzando così le performance e l'affidabilità globale.

Il condensatore, il circuito per l'acqua di mare collegato e i relativi collettori sono tutti costruiti in cupronickel per massimizzare la resistenza alla corrosione dell'acqua di mare. Il circuito per l'acqua dolce è costruito utilizzando rame e acciaio inossidabile, mentre tutti i compressori sono supportati da un innovativo sistema Climma per ridurre al minimo le vibrazioni.

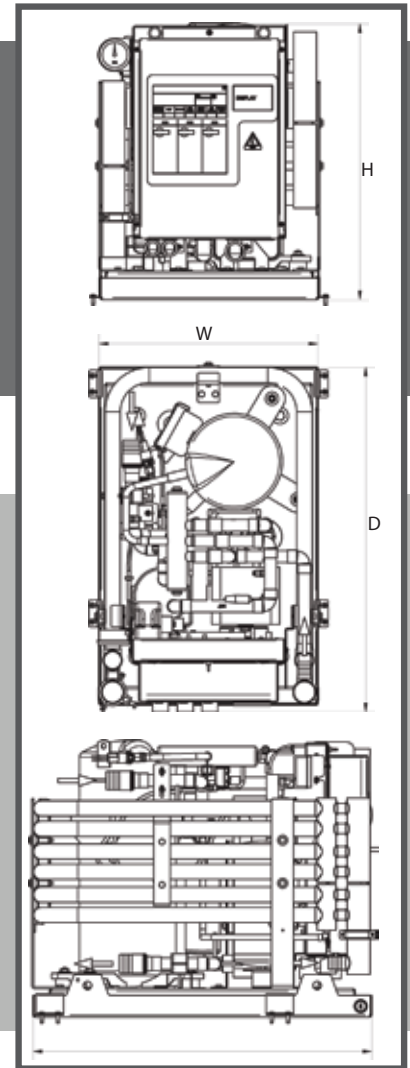
### Efficienza

Tutti gli impianti CWS SOLO possono essere forniti con lo speciale Inverter Climma raffreddato ad acqua, eliminando così la corrente di spunto e riducendo i consumi fino al 30%.

Compact, powerful and reliable.

PRODUCTS

		230/1/50-60 with inverter	230/3/50-60 with inverter	*Y=400/3/50 YD=inverter
601	RC	MOD601RCUD	MOD601RCVD	MOD601RC*
	CO	MOD601COUD	MOD601COVD	MOD601CO*
721	RC	MOD721RCUD	MOD721RCVD	MOD721RC*
	CO	MOD721COUD	MOD721COVD	MOD721CO*
961	RC	MOD961RCUD	MOD961RCVD	MOD961RC*
	CO	MOD961COUD	MOD961COVD	MOD961CO*
1201	RC		MOD1201RCVD	MOD1201RC*
	CO		MOD1201COVD	MOD1201CO*
1441	RC		MOD1441RCVD	MOD1441RC*
	CO		MOD1441COVD	MOD1441CO*



OPTIONS AND INVERTER

- COOL ONLY VERSION (CO) AND REVERSE CYCLE (RC) TO COOL AND HEAT
- INVERTER INCLUDED FOR 230V POWER SUPPLY, OPTIONAL FOR 400V
- ON-BOARD INVERTER
- OTHER POWER SUPPLIES AND SIZES ARE AVAILABLE ON DEMAND

#### INVERTER ADVANTAGES

- No start current
- Reduced power consumption up to 30% with a compressor frequency modulation system specifically studied and designed by Climma
- Capacity modulation of the compressors avoids temperature oscillations, waste of power and increases the ambient comfort
- Reduced noise and vibrations while running the compressors at low speed
- Water cooled inverter brings to an extremely reduced size and to more efficiency even if installed in the engine rooms

TECHNICAL SPECIFICATIONS

Product	Power Supply	MODEL		COOL MODE		HEAT MODE		Start Current (A)	Net Weight (Kg)	Size HxWxD (mm)
		RC	CO	Capacity (Bth/hr)	Ampere Run (A)	Capacity (Bth/hr)	Ampere Run (A)			
601	230/1/50	MOD602RCUD	MOD602COUD	60.000	26	75.000	35	-	78	506x400x620
	230/3/50	MOD602RCV	MOD602COV		12		16	-		
	400/3/50	MOD602RCY	MOD602COY		7		9	-		
721	230/1/50	MOD721RCUD	MOD721COUD	72.000	28	90.000	40	28	88	506x400x620
	230/3/50	MOD721RCV	MOD721COV		13		17	13		
	400/3/50	MOD721RCY	MOD721COY		8		9	66		
961	230/1/50	MOD961RCUD	MOD961COUD	96.000	40	120.000	51	40	140	606x400x682
	230/3/50	MOD961RCV	MOD961COV		19		23	152		
	400/3/50	MOD961RCY	MOD961COY		11		13	80		
1201	230/3/50	MOD1201RCV	MOD1201COV	120.000	23	150.000	28	184	160	625x480x758
	400/3/50	MOD1201RCY	MOD1201COY		13		16	96		
1441	230/3/50	MOD1441RCV	MOD1441COV	144.000	26	180.000	32	215	160	630x480x750
	400/3/50	MOD1441RCY	MOD1441COY		15		17	96		



COMPANY WITH QUALITY MANAGEMENT  
SYSTEM CERTIFIED BY DNV  
= ISO 9001:2008 =



VECO S.p.a.

via General Cantore, 6 - 20833 Giussano (MB) Italy

Phone: 0362 35321 - fax: 0362 852995

e-mail: info@veco.net - web: www.veco.net