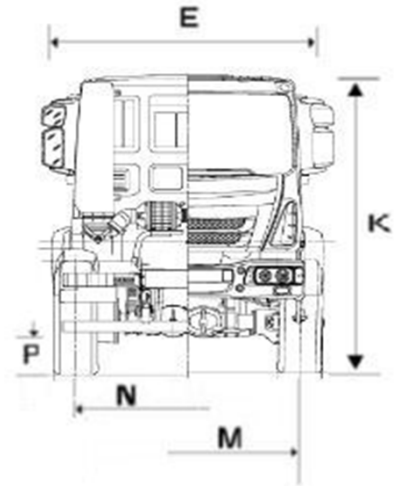
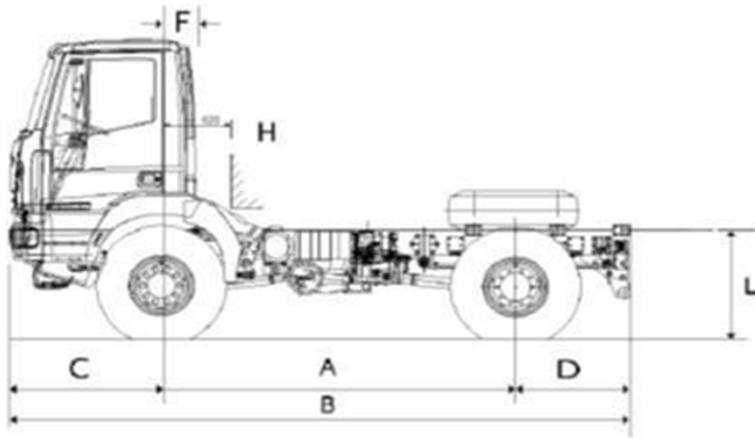


## EURO CARGO

### ML 150E24WS

### Rigid 4x4



WEIGHTS (kg.)		G.V.W.	G.C.W.	Front axle	Rear axle
Design weights (std.)		15000	18500	5700	10000
Design weights (opt.)		15000	18500	5700	10000

KERBWEIGHTS (kg.) cab / wb.		short	3240*	3690	3915	4150
Front axle			3795	3835	3840	3860
Rear axle			1935	1920	1965	2040
Total			5730	5755	5805	5900
PAYLOAD (kg.) @ G.V.W.			9270	9245	9195	9100

\* Not available with long cab

DIMENSIONS (mm)			3240	3690	3915	4150
A	Wheelbase		3240	3690	3915	4150
B	Overall length (over bumpers)		5990	6440	6665	7477
C	Front overhang		1387	1387	1387	1387
D	Rear overhang		1358	1358	1358	1358
E	Cab width		2490	2490	2490	2490
F	End of cab	short	210	210	210	210
		long		790	790	790
H	Cab gap	short	640	640	640	640
		long		985	985	985
	Recommended body length	short	4250	4750	4950	5750
		long		4400	4600	5400
K	Cab height (unladen)		3074	3073	3073	3073
L	Frame height at rear frame end		1343	1338	1334	1345
	Frame thickness		6	6	6	6
	Turning circle (wall to wall)		14400	15960	16720	17540
M	Front track		2055	2055	2055	2055
N	Rear track		2045	2045	2045	2045
P	Ground clearance (front)		392	392	392	392
	Ground clearance (rear)		392	392	392	392

TYRES & WHEELS	Tyre code	Mission	Tyre dimensions	
			Front	Rear
Standard	20169	D Tube & flap	14 R 20	14 R 20
Option	20168	D Tubeless	14 R 20	14 R 20
Option	20115	D	395/85 R 20	395/85 R 20

Tyre mission code: B = regional; C = all use; D = mix/off road



## ML 150E24WS

### ENGINE

<b>IVECO TECTOR</b>	Turbocharged and intercooled
Turbocharger	
Cylinders in line	6
Bore (mm)	102
Stroke (mm)	120
Capacity (litres)	5,88
Max power (HP/kW)	240/176
@ rpm	2700
Max torque (Nm)	810
@ rpm	1200 - 2100
E.E.C. emissions regulation	Euro 3
Governor	All speeds
Cooling fan	Viscodynamic
Fuel system	Common rail - Bosch
Speed limiter	90kmh

### GEARBOXES

Ratios	MEC. 6 SPEED		MEC. 6 SP + PTO	
	ZF 6S800		ZF 6S1005 TO	
1st	6,58		6,75	
2nd	3,60		3,60	
3rd	2,12		2,12	
4th	1,39		1,39	
5th	1,00		1,00	
6th	0,78		0,78	
7th				
8th				
9th				
Rev	6,06		8,65	

### PERFORMANCE

(with standard tyres)

#### Type: ZF 6S800

Axle ratios available	<b>6,95</b>	5,326	5,72	6,34	7,73
Geared speed (km/h)	113	147	137	124	101
Gradeability % @ 15 t G.V.W.	36	27	29	32	40

#### Type: ZF 6S1005 TO + PTO

Axle ratios available	<b>6,95</b>	5,326	5,72	6,34	7,73
Geared speed (km/h)	113	147	137	124	101
Gradeability % @ 15 t G.V.W.	37	27	29	33	41

### CLUTCH

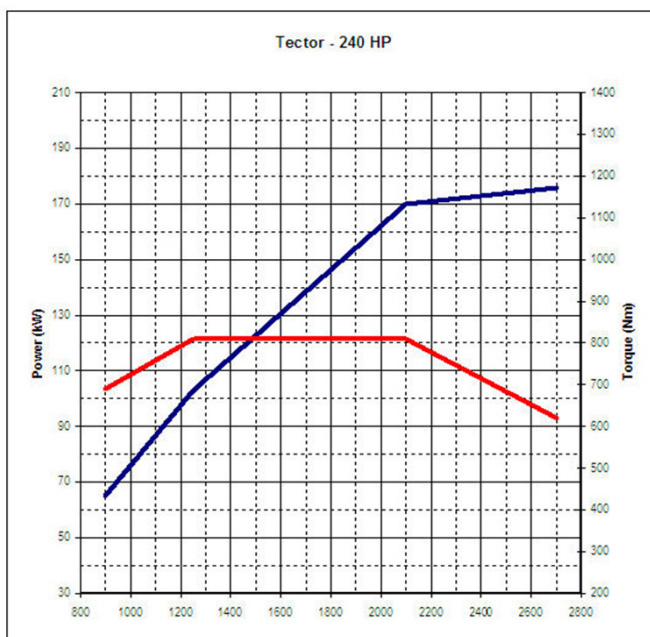
Type	Single plate, diaphragm spring, pull type.
Diameter (mm)	15" (380 mm)
	Asbestos free.

### BRAKES

Type	2 independent pneumatic circuits
Service	A.B.S. + E.B.L.
Front axle	Drums: 381 mm diameter x 178 mm width
Friction area front	2800 cm <sup>2</sup>
Rear axle	Drums: 381 mm diameter x 178 mm width
Friction area rear	2800 cm <sup>2</sup>
Parking	Mechanical with spring cylinder, rear.
Emergency	Combined with parking brake.
Air reservoirs	2 x 20 litres, steel
Engine brake	Standard exhaust brake
Air compressor	225 cc - single cylinder
Air dryer	Air Processing Unit

### TRANSFER BOX

Type	TC 700 - gearbox independent.
Ratio	On road: 1/0,95 – Off Road: 1/1,62.
Torque distribution	Front 33% - Rear 67%



### ELECTRICS

Tension	24v negative earth return
Alternator	28v, 70A
Starter	24v, 4 kW
Batteries	2 x 12v, 110Ah
Circuits protected	By fuse
System	Multiplex - CAN line data bus

### SUSPENSIONS

Front	Parabolic
Rear	Parabolic
Anti roll bar	Front & rear
Shock absorbers	2 on front, 2 on rear

### STEERING

Type	Power assisted
------	----------------

### AXLES

Front	Iveco 5956. Rigid.
Rear	Iveco 451146/1. Hub reduction.
Differential lock	Cross axle available as option.

### FUEL TANK

Type and capacity	115lt. with lockable fuel cap.
-------------------	--------------------------------

### CAB INTERIOR

#### Day cab

Forward control cab. Fabric three way adjustable driver seat, dual fixed passenger seat. Overhead lockers with doors, Windowless rear wall with document net. Glove box. Four speed fan, air flow 500 m<sup>3</sup>/hr, 10 Kw. All gauges monitored using international symbols. Electronic tachograph for two drivers,. Fully adjustable steering column. Column mounted control stalks. Overhead console for radio and CB. Courtesy and map reading lights.

#### Sleeper cab

As per day cab plus: a lower bunk, storage box under bunk, reading light and bed module for controlling cab lights, electric windows, roof hatch.

### CAB EXTERIOR

#### Day and sleeper cab

Pressed steel construction with SMC for vulnerable parts. Suspension: helical springs and dampers. Hydraulic manual tilt to 60 degrees. Rear view mirrors according to CEE 88/321.

### CHASSIS

Ladder construction. Pressed steel side members and riveted and bolted cross members.

**Wheelbases (mm)**  
3240 - 4150

**Height (mm) x width (mm)**  
252 x 70